

Custom Made Damper Valves



CE



Specification (standard)

1. Standard material of construction

Body : Mild steel, stainless steel
Disc : Mild steel, stainless steel
Stem : Mild steel, stainless steel
Stopper : Mild steel, stainless steel

2. The body and disc

Material are available in wide choice of steel or cast alloy options depending on customer's request.

3. Available size : 50mm ~ 1000mm

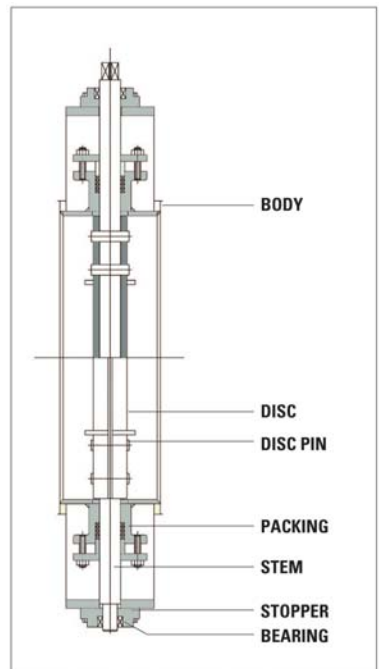
4. Working temperature : 0 ~ 500 Degrees Celsius

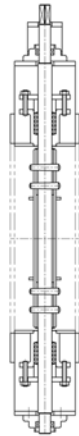
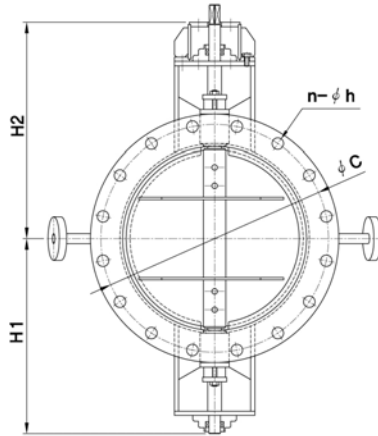
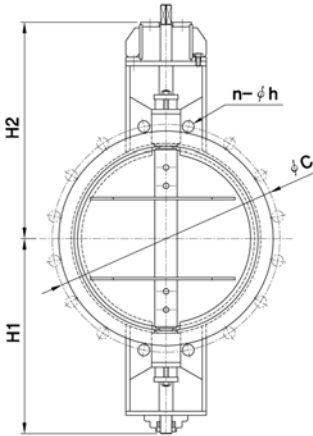
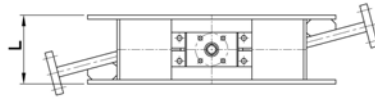
5. Flange rating

KS 5K/10K, JIS 5K/10K
ANSI 125LB, 150LB, DIN-PN10, PN16
Other flange available upon request

6. Operator

Manual lever handle
Manual gear operator
Pneumatic operator (double acting, single acting)
Electric motor operator (on/off, modulating)
Hydraulic operator





DIMENSIONS

unit : mm

SIZE		L	H1	H2	FLANGE JIS(5K)	
inch	mm				C	N - h
3"	80	70	135	190	145	4-φ19
4"	100	70	150	200	165	8-φ19
5"	125	80	170	220	200	8-φ19
6"	150	100	190	245	230	8-φ19
8"	200	100	220	265	280	8-φ23
10"	250	140	265	300	245	12-φ23
12"	300	140	323	370	390	12-φ23
14"	350	140	360	456	435	12-φ25
16"	400	150	425	470	495	16-φ25
18"	450	150	450	506	555	16-φ25
20"	500	150	480	536	605	20-φ25
22"	550	160	530	603	665	20-φ27
24"	600	160	535	643	715	20-φ27
26"	650	160	580	653	770	24-φ27
28"	700	160	605	680	820	24-φ27
30"	750	160	630	703	880	24-φ33
32"	800	180	660	745	930	24-φ33
36"	900	180	685	790	1030	24-φ33
40"	1000	200	710	835	1130	28-φ33

*Product Group 100
Bonded Rubber Liner Butterfly Valves*

*Product Group 200
Replaceable Rubber Liner Butterfly Valves*

*Product Group 300
Cassette Type Rubber Liner Butterfly Valves*

*Product Group 400
Double Eccentric Replaceable Seat Ring
Type Butterfly Valves*

*Product Group 500
High Performance Butterfly Valves*

*Product Group 600
Tripple Eccentric Metal Seated Butterfly Valves*

*Product Group 700
Disc Seated Butterfly Valves*

*Product Group 800
Cryogenic Butterfly Valves (LPG, LNG)*

*Product Group 900
Damper Butterfly Valves*



Please contact us for further information